

TECHNICAL DATA E-PRO

Drop-in neutral and heated plate dispenser



The E-Pro drop-in unit range offers all the equipment needed for a complete and effective self-service line. The top-quality units are compact in size.



GENERAL

- Products are designed for the display of plates as part of a self-service line
- The range includes two models, sized for different plate diameters and heated and neutral versions
- The separate control panel has a connector and is easy to install
- Made of stainless steel
- Hygienic thanks to the enclosed casing

PERFORMANCE

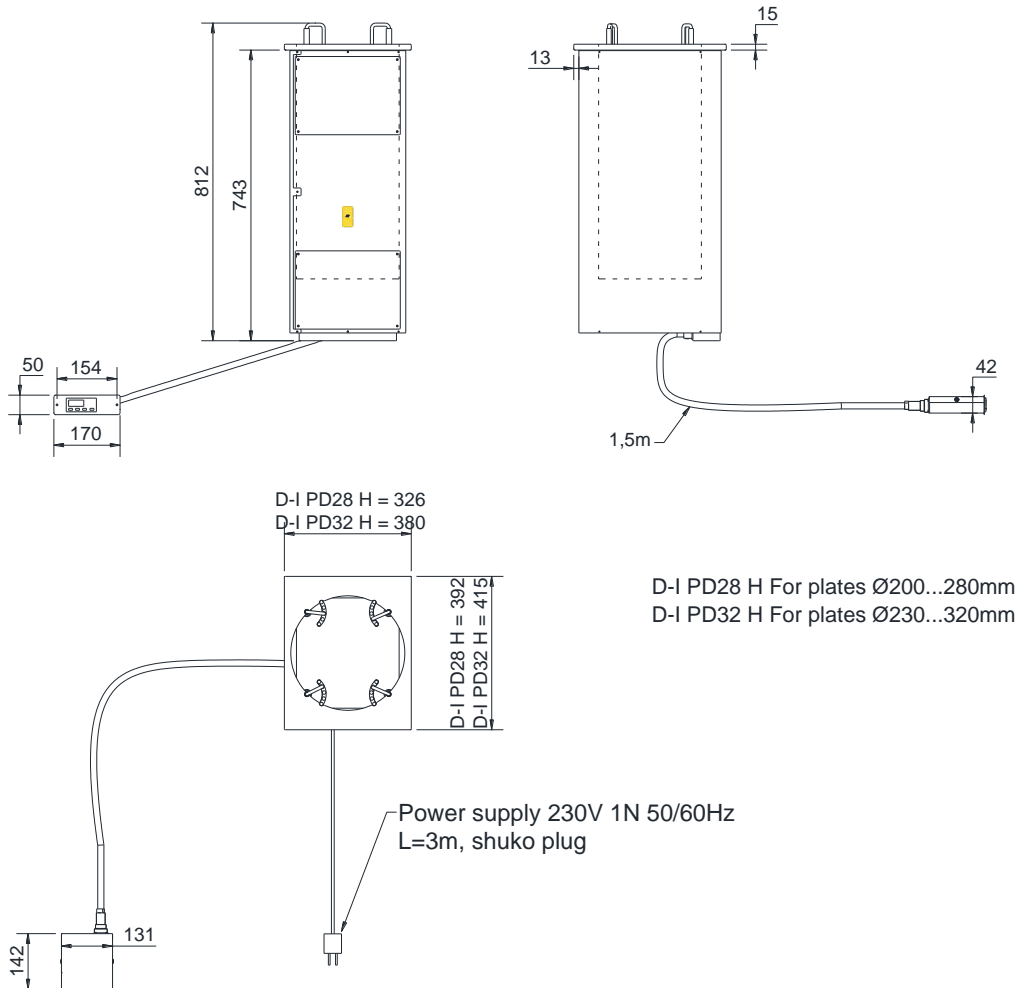
- The heated dispensers feature a thermostat control and a separate digital temperature display
- The temperature can be adjusted between +30 and +50°C
- The stacks of plates are supported by four adjustable bars
- The plate cylinder features lifting springs and can thus be adjusted for plates of different diameters
- Sized for about 50pcs of plates

TECHNICAL FEATURES

- The heated dispensers are fitted with a 3m and the control panel with a 1.5m power cord
- All E-Pro drop-in units are CE marked



Drop-in heated plate dispenser



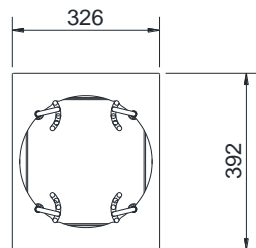
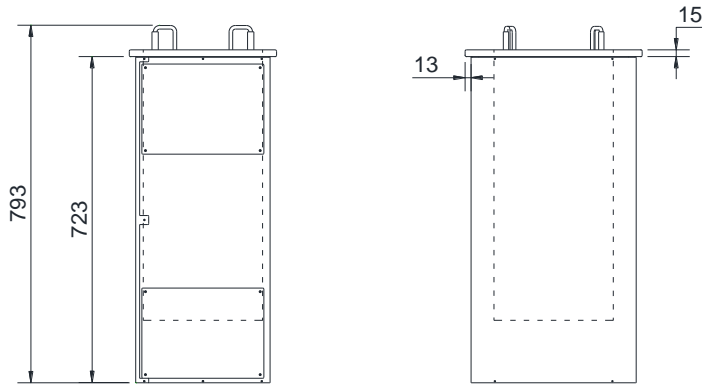
MODEL	CUT-OUT ON TABLE TOP mm
D-I PD28 H	310 x 376
D-I PD32 H	364 x 399

TECHNICAL DATA		
Model	D-I PD28 H	D-I PD32 H
External dimensions w x d x h mm	326x392x812	380x415x812
Temperature range °C	+30...+50	+30...+50
Electrical connection V, Hz	230 1N, 50/60	230 1N, 50/60
Connected load kW	0,50	0,50
Enclosure class	IP32	IP32
Net weight kg	19	20
Unit volume m ³	0,2	0,2
Unit dimensions mm		
height	900	900
depth	400	400
width	450	450

Due to continuous product development we reserve the right to technical changes without notice.



Drop-in neutral plate dispenser



For plates Ø200...280mm

MODEL	CUT-OUT ON TABLE TOP mm
D-I PD28 N	310 x 376

TECHNICAL DATA	
Model	D-I PD28 N
External dimensions w x d x h mm	326x392x793
Net weight kg	18
Unit volume m ³	0,2
Unit dimensions mm	
height	900
depth	400
width	450

Due to continuous product development we reserve the right to technical changes without notice.

