

TECHNICAL DATA - MARINE

Neutral and heated plate dispenser

The plate dispensers are part of range of food dispensing units. The capacity, materials and technical features of the plate dispensers are designed to meet the requirements of professional kitchens.



GENERAL

- Products are designed for the display of plates as part of a self-service line
- Made of stainless steel
- Ø63mm adjustable marine feet, with a height adjustment range of -20/+40mm
- The stacks of plates are supported by four adjustable bars
- The two-cylinder model holds Ø200...280mm plates and the one-cylinder model Ø230...320mm plates

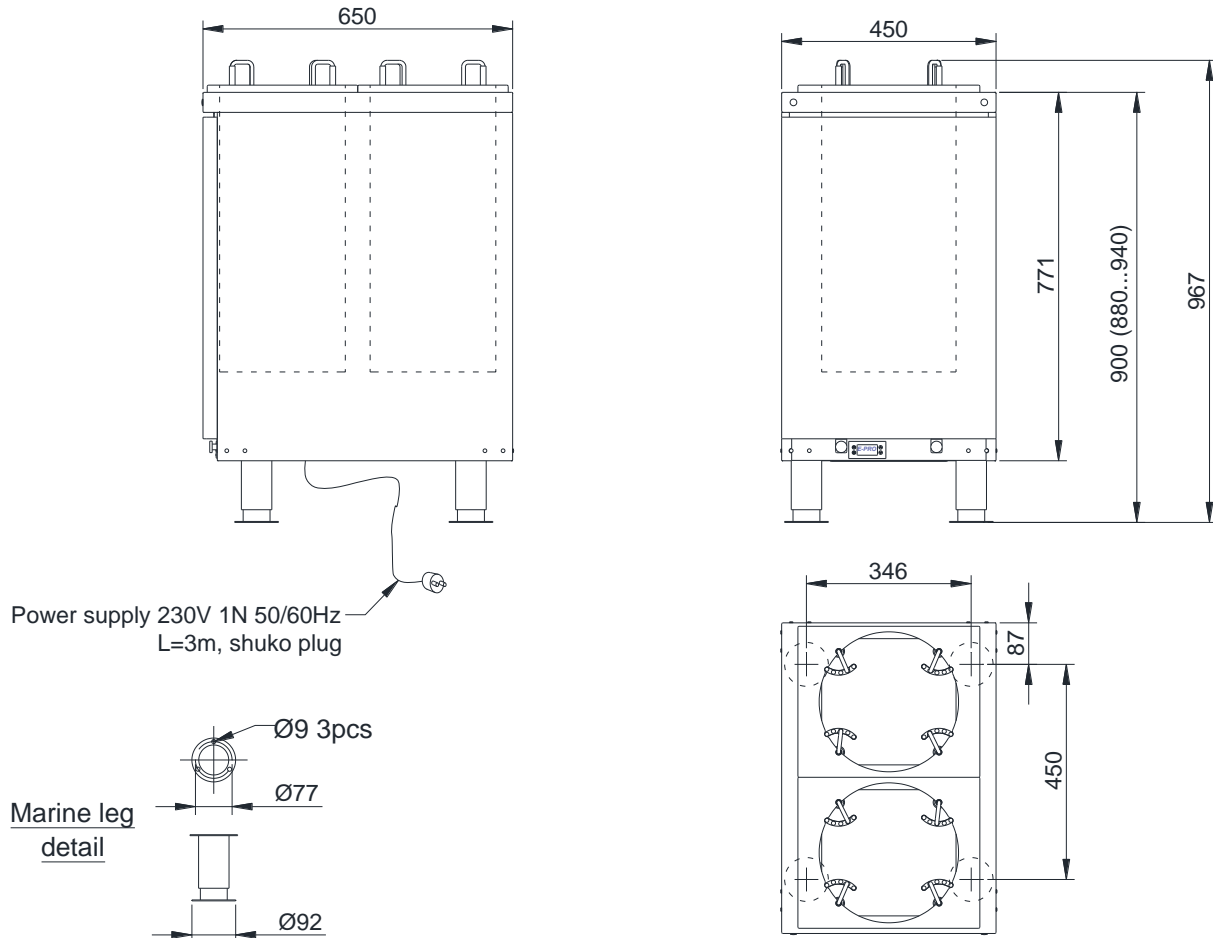
PERFORMANCE

- The heated dispensers include a heating resistor, thermostat control with a digital temperature display and on/off switch
- The temperature can be adjusted between +30 and +50°C
- As an option, the plate dispenser can be equipped with a mobile package for getting plate dispenser trolley.
- Trolley include plastic bumpers on corners, lockable wheels in place of legs and a push handle

TECHNICAL FEATURES

- The hot dispensers come with a 3.0m power cord
- The heating elements include an overheat safety thermostat
- All plate dispensers are CE marked

Heated plate dispenser



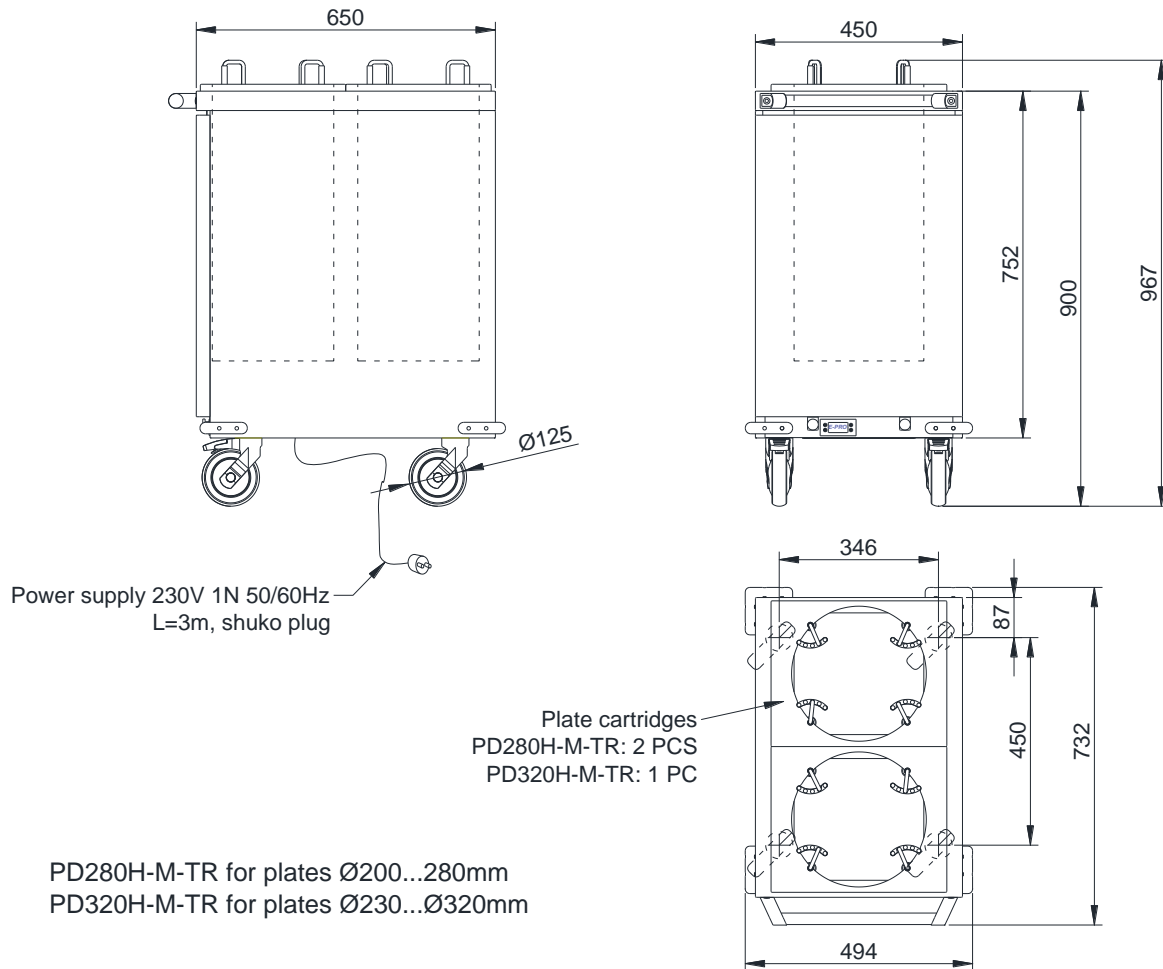
PD280H-M for plates Ø200...280mm

TECHNICAL DATA	
Model	PD280H-M
External dimensions w x d x h mm	450x650x900
Temperature range °C	+30...+50
Capacity no. of plates	50 + 50
Electrical connection V, Hz	230 1N, 50/60
Connected load kW	0,70
Net weight kg	32
Enclosure class	IP41
Unit volume m ³	0,4
Unit dimensions mm	
height	1100
width	520
depth	750

Due to continuous product development we reserve the right to technical changes without notice.



Heated plate dispenser trolley

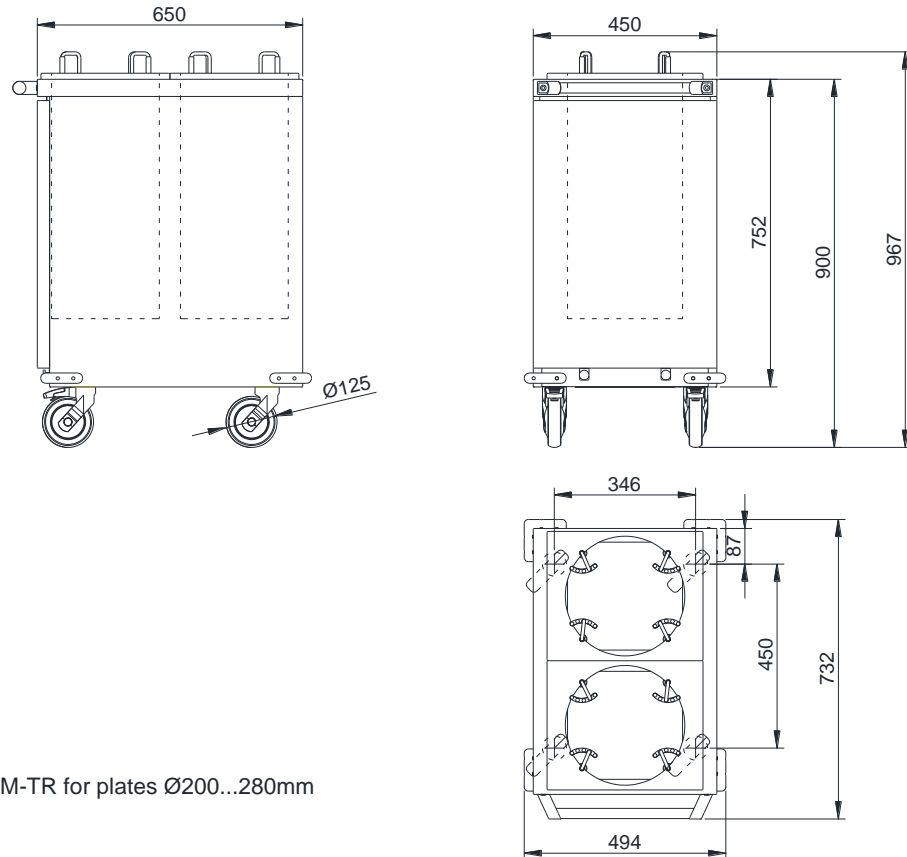


TECHNICAL DATA		
Model	PD280H-M-TR	PD320H-M-TR
External dimensions w x d x h mm	450x650x900	450x650x900
Temperature range °C	+30...+50	+30...+50
Capacity no. of plates	50 + 50	50
Electrical connection V, Hz	230 1N, 50/60	230 1N, 50/60
Connected load kW	0,70	0,70
Net weight kg	34	32
Enclosure class	IP41	IP41
Unit volume m ³	0,4	0,4
Unit dimensions mm		
height	1100	1100
width	520	520
depth	750	750

Due to continuous product development we reserve the right to technical changes without notice.



Neutral plate dispenser trolley



PD280N-M-TR for plates Ø200...280mm

TECHNICAL DATA	
Model	PD280N-M-TR
External dimensions w x d x h mm	450x650x900
Capacity no. of plates	50 + 50
Net weight kg	33
Unit volume m ³	0,4
Unit dimensions mm	
height	1100
width	520
depth	750

Due to continuous product development we reserve the right to technical changes without notice.

