

TECHNICAL DATA - MARINE

Table top basket racks

The range of marine neutral furniture includes various types of tables, cabinets, shelves, trolleys and racks. Thanks to the flexible modular construction they are easy to combine to create customised solutions that meets all requirements. All units are made of stainless steel and comply with the hygiene and other standards for professional kitchens.



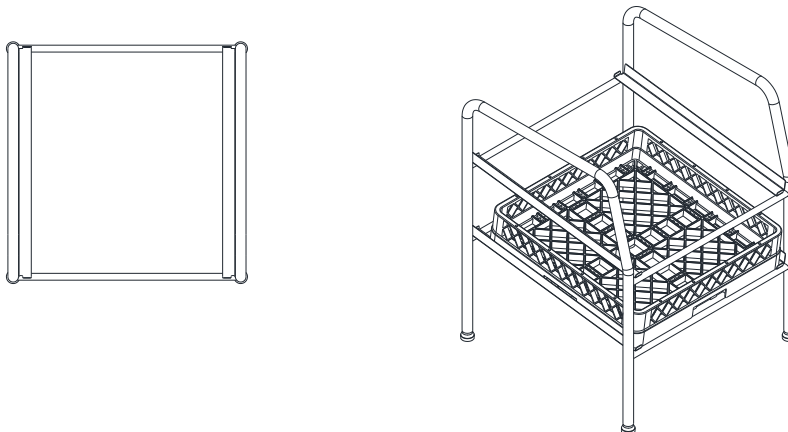
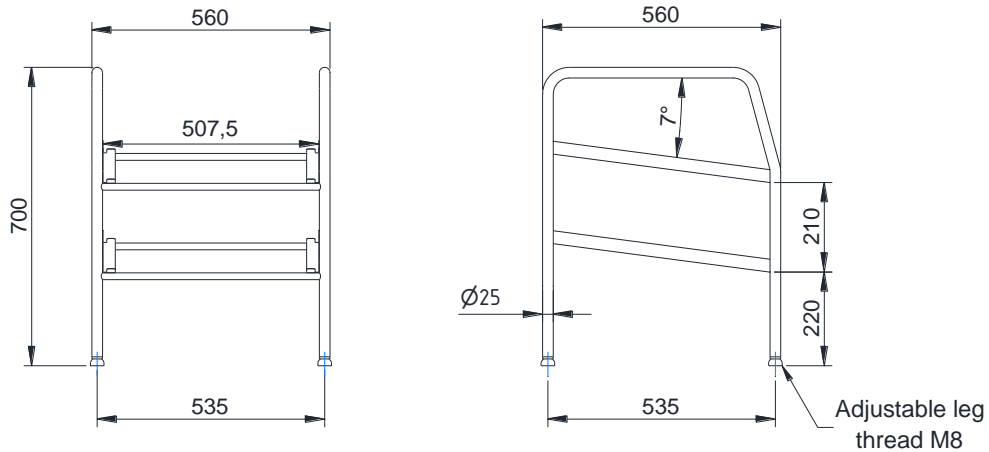
GENERAL

- Easy to clean stainless steel construction
- Two and three level options
- Special executions and sizes are available on request

TECHNICAL FEATURES

- Frame s/s Ø25mm
- Dimensioned for 500x500mm dish baskets
- Welded construction
- Adjustable legs and bolt fixation option to table top as standard feature

Table top basket rack two levels

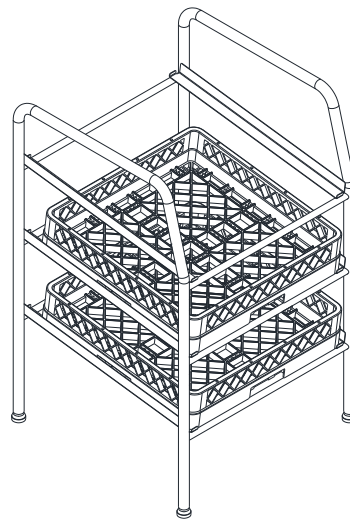
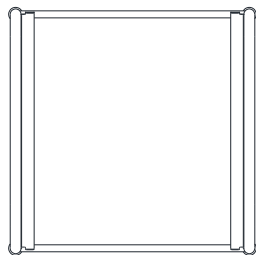
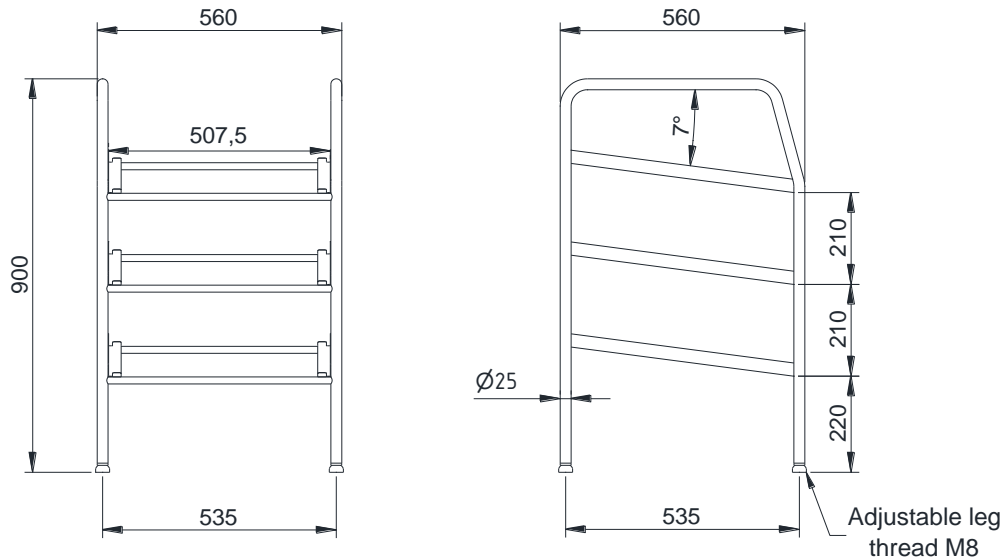


TECHNICAL DATA	
Model	N-042-2
External dimensions w x d x h mm	560x560x700
Net weight kg	5,7
Unit volume m ³	0,32
Unit dimensions mm	
height	850
depth	610
width	610

Due to continuous product development we reserve the right to technical changes without notice.



Table top basket rack three levels



TECHNICAL DATA	
Model	N-042-3
External dimensions w x d x h mm	560x560x900
Net weight kg	7,6
Unit volume m ³	0,39
Unit dimensions mm	
height	1050
depth	610
width	610

Due to continuous product development we reserve the right to technical changes without notice.

