

TECHNICAL DATA - MARINE

Table top basket racks

The range of marine neutral furniture includes various types of tables, cabinets, shelves, trolleys and racks. Thanks to the flexible modular construction they are easy to combine to create customised solutions that meets all requirements. All units are made of stainless steel and comply with the hygiene and other standards for professional kitchens.



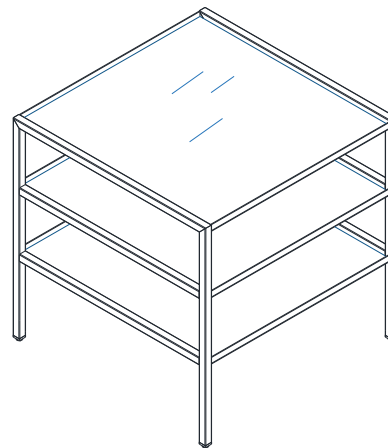
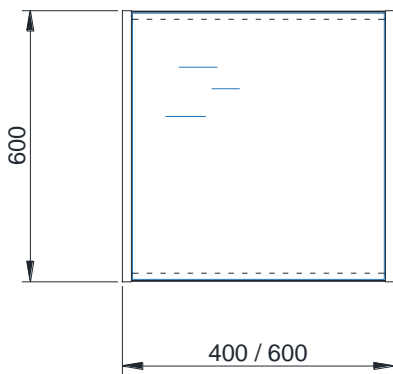
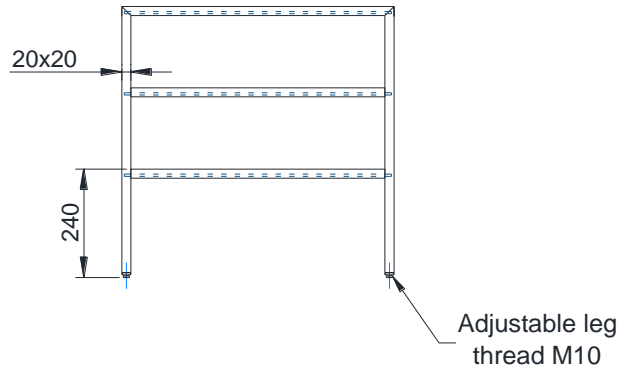
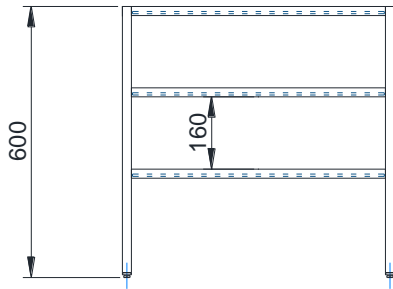
GENERAL

- Easy to clean stainless steel construction
- Three and four level options
- Raised edges prevent goods from falling
- Finishing is available s/s brush or powder paint in RAL standard colours
- Special executions and sizes are available on request

TECHNICAL FEATURES

- Frame s/s 20x20mm
- Detachable shelves are tempered safety glass with chamfered edges
- Welded construction
- Adjustable legs and bolt fixation option to table top as standard feature

Table top glass shelf three levels

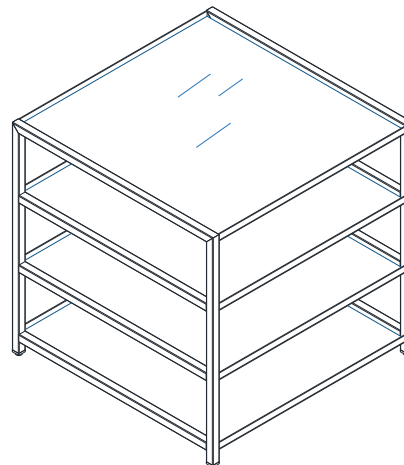
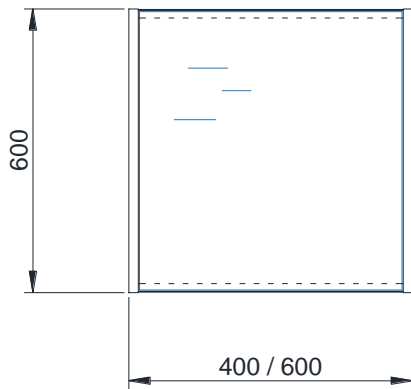
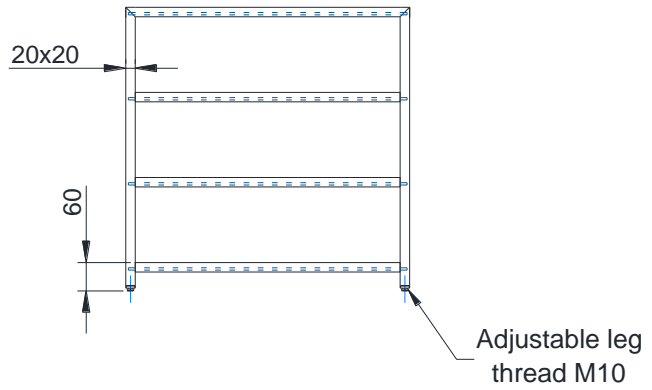
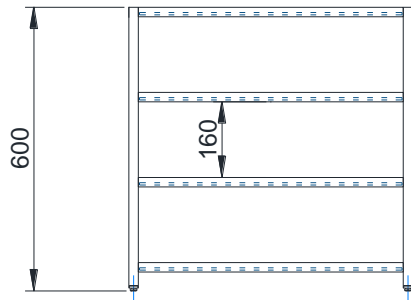


TECHNICAL DATA		
Model	N-043-3-40x60	N-043-3-60x60
External dimensions w x d x h mm	400x600x600	600x600x600
Net weight kg	13	17
Unit volume m ³	0,22	0,32
Unit dimensions mm		
height	750	750
depth	650	650
width	450	650

Due to continuous product development we reserve the right to technical changes without notice.



Table top glass shelf four levels



TECHNICAL DATA		
Model	N-043-4-40x60	N-043-4-60x60
External dimensions w x d x h mm	400x600x600	600x600x600
Net weight kg	17	23
Unit volume m ³	0,22	0,32
Unit dimensions mm		
height	750	750
depth	650	650
width	450	650

Due to continuous product development we reserve the right to technical changes without notice.

