

TECHNICAL DATA - MARINE

Wall shelves

The range of marine neutral furniture includes various types of tables, cabinets, shelves, trolleys and racks. Thanks to the flexible modular construction they are easy to combine to create customised solutions that meets all requirements. All units are made of stainless steel and comply with the hygiene and other standards for professional kitchens.



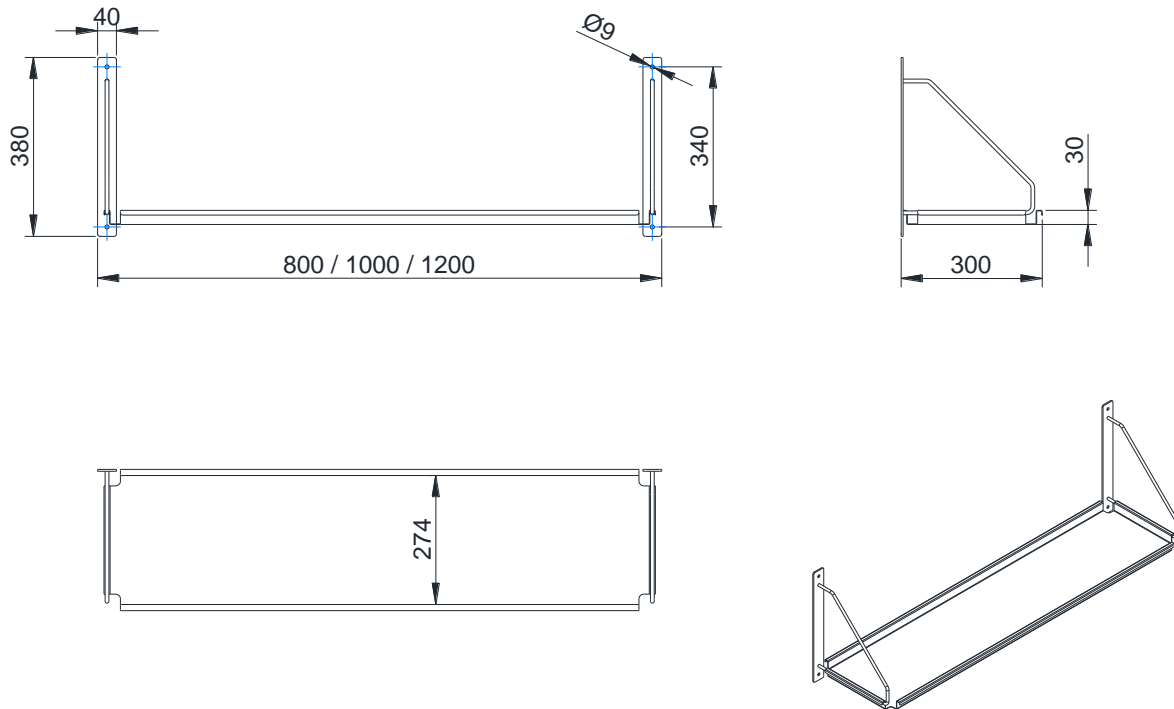
GENERAL

- Easy to clean stainless steel construction
- Raised edge in four side
- Single and double options
- Dish basket model for 1, 2 or 3 dish baskets
- Model for microwave ovens
- Special executions and sizes are available on request

TECHNICAL FEATURES

- Detachable shelf s/s t=1,25mm
- 4 fixing points
- Welded construction
- Tilted model dimensioned for 500x500mm dish baskets

Wall shelf single

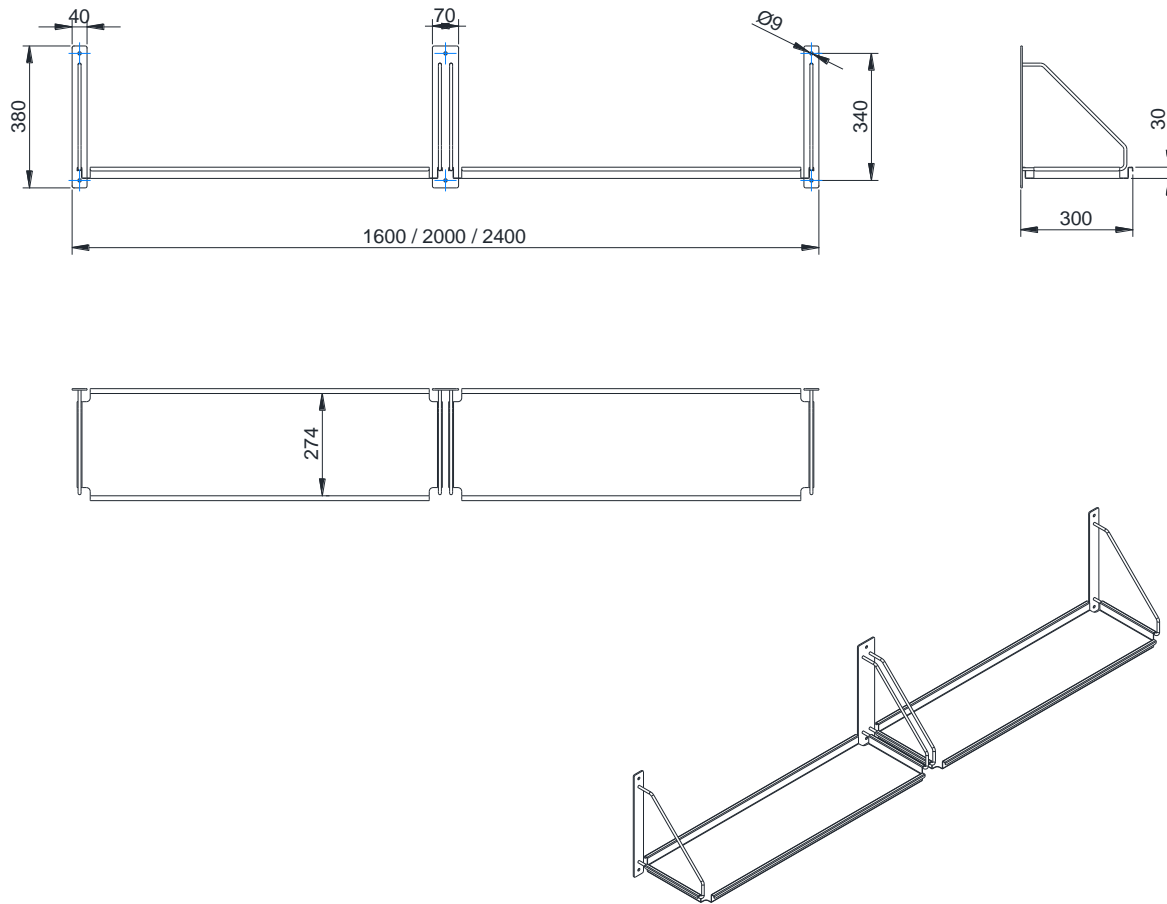


TECHNICAL DATA			
Model	N-071-30x80	N-071-30x100	N-071-30x120
External dimensions w x d x h mm	800x300x380	1000x300x380	1200x300x380
Net weight kg	4,4	5,2	5,9
Unit volume m ³	0,06	0,07	0,09
Unit dimensions mm			
height	200	200	200
depth	350	350	350
width	850	1050	1250

Due to continuous product development we reserve the right to technical changes without notice.



Wall shelf double

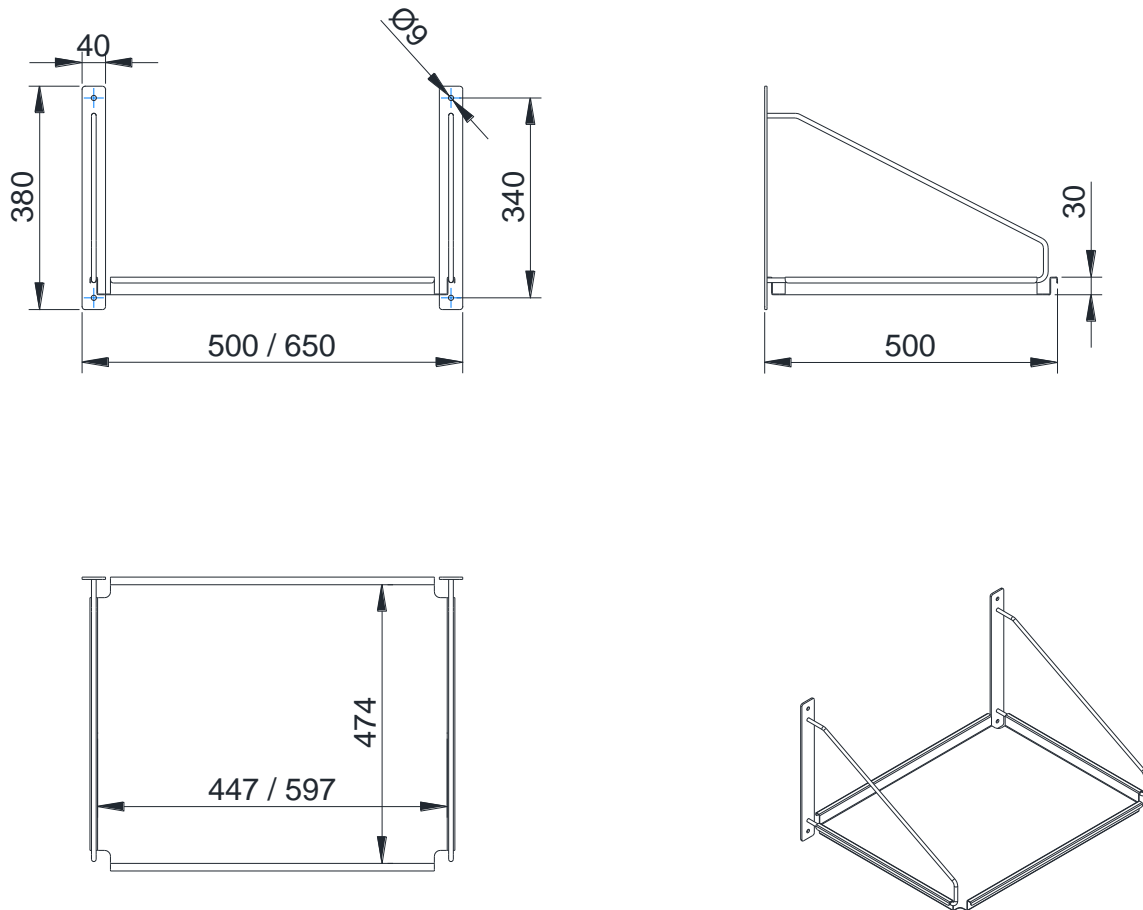


TECHNICAL DATA			
Model	N-072-30x160	N-072-30x200	N-072-30x240
External dimensions w x d x h mm	1600x300x380	2000x300x380	2400x300x380
Net weight kg	8,8	10	12
Unit volume m ³	0,12	0,14	0,17
Unit dimensions mm			
height	200	200	200
depth	350	350	350
width	1650	2050	2450

Due to continuous product development we reserve the right to technical changes without notice.



Wall shelf for microwave oven

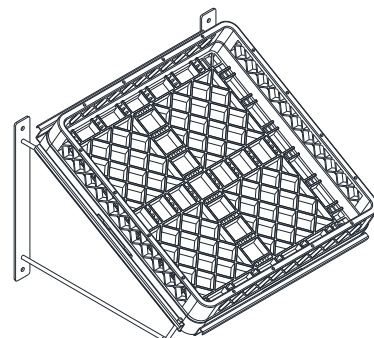
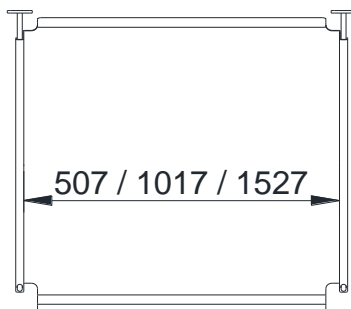
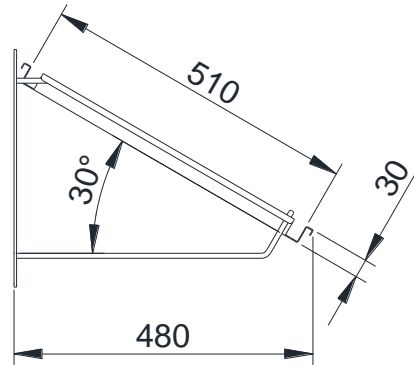
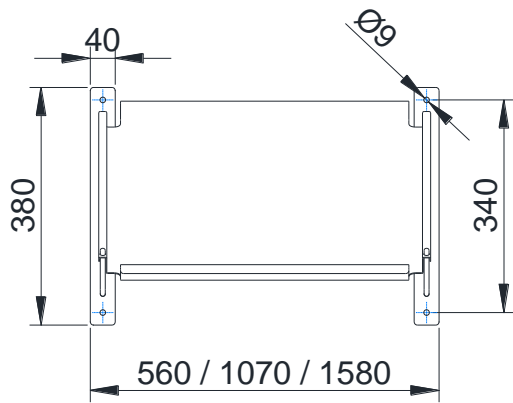


TECHNICAL DATA		
Model	N-074-50x50	N-074-50x65
External dimensions w x d x h mm	500x500x380	650x500x380
Net weight kg	4,7	5,6
Unit volume m ³	0,06	0,08
Unit dimensions mm		
height	200	200
depth	550	550
width	550	700

Due to continuous product development we reserve the right to technical changes without notice.



Wall shelf tilted for dish baskets



TECHNICAL DATA			
Model	N-075-48x56	N-075-48x107	N-075-48x158
External dimensions w x d x h mm	560x480x380	1070x480x380	1580x480x380
Net weight kg	5,2	7,9	11
Unit volume m ³	0,06	0,12	0,17
Unit dimensions mm			
height	200	200	200
depth	530	530	530
width	610	1120	1630

Due to continuous product development we reserve the right to technical changes without notice.

