

TECHNICAL DATA - MARINE

Working tables flat top

The range of marine neutral furniture includes various types of tables, cabinets, shelves, trolleys and racks. Thanks to the flexible modular construction they are easy to combine to create customised solutions that suits all requirements. All units are made of stainless steel and comply with the hygiene and other standards for professional kitchens.



GENERAL

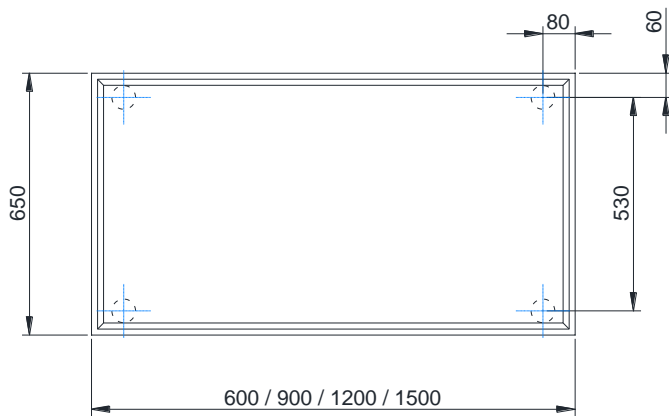
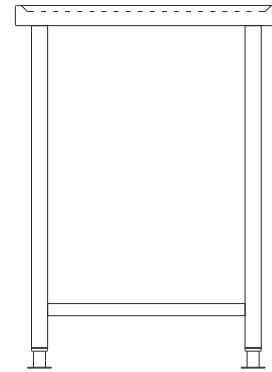
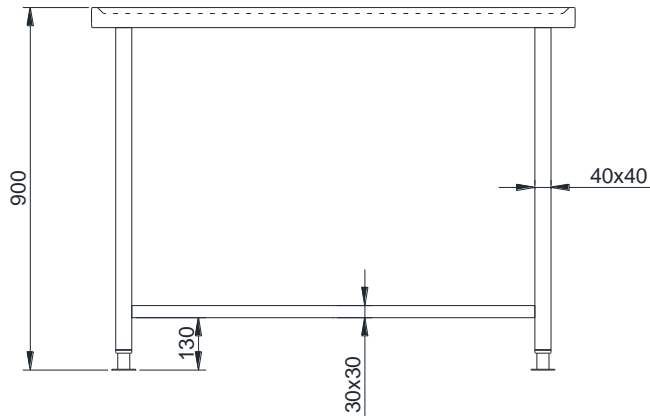
- Easy to clean stainless steel construction
- Anti-spill marine edge
- Special executions and sizes available on request
- Wide range of accessories

TECHNICAL FEATURES

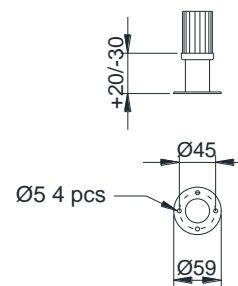
- Table top s/s t=1,50mm
- Frame s/s 40x40
- Welded construction
- Adjustable legs with bolt holes
- S/s brush exterior

Working table flat top

- length 600...1500mm



Det. of marine leg



Det. of marine edge



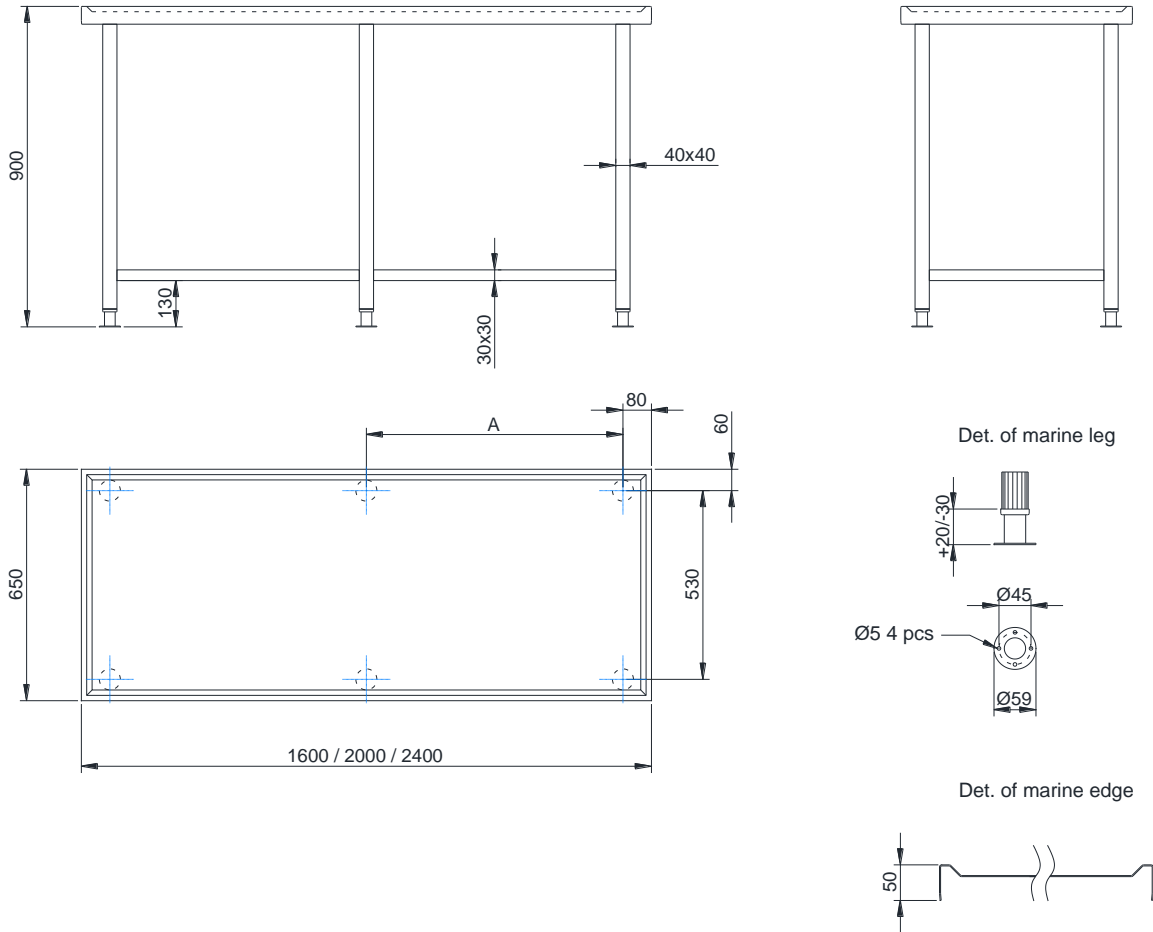
TECHNICAL DATA				
Model	N-010-6-3	N-010-9-3	N-010-12-3	N-010-15-3
External dimensions w x d x h mm	600x650x900	900x650x900	1200x650x900	1500x650x900
Net weight kg	21	24	27	30
Unit volume m ³	0,48	0,70	0,92	1,14
Unit dimensions mm				
height	1050	1050	1050	1050
depth	700	700	700	700
width	650	950	1250	1550

Due to continuous product development we reserve the right to technical changes without notice.



Working table flat top

- length 1501...2400mm



TECHNICAL DATA			
Model	N-010-16-3	N-010-20-3	N-010-24-3
External dimensions w x d x h mm	1600x650x900	2000x650x900	2400x650x900
Net weight kg	34	38	42
Unit volume m ³	1,21	1,51	1,80
Unit dimensions mm			
height	1050	1050	1050
depth	700	700	700
width	1650	2050	2450

Due to continuous product development we reserve the right to technical changes without notice.

